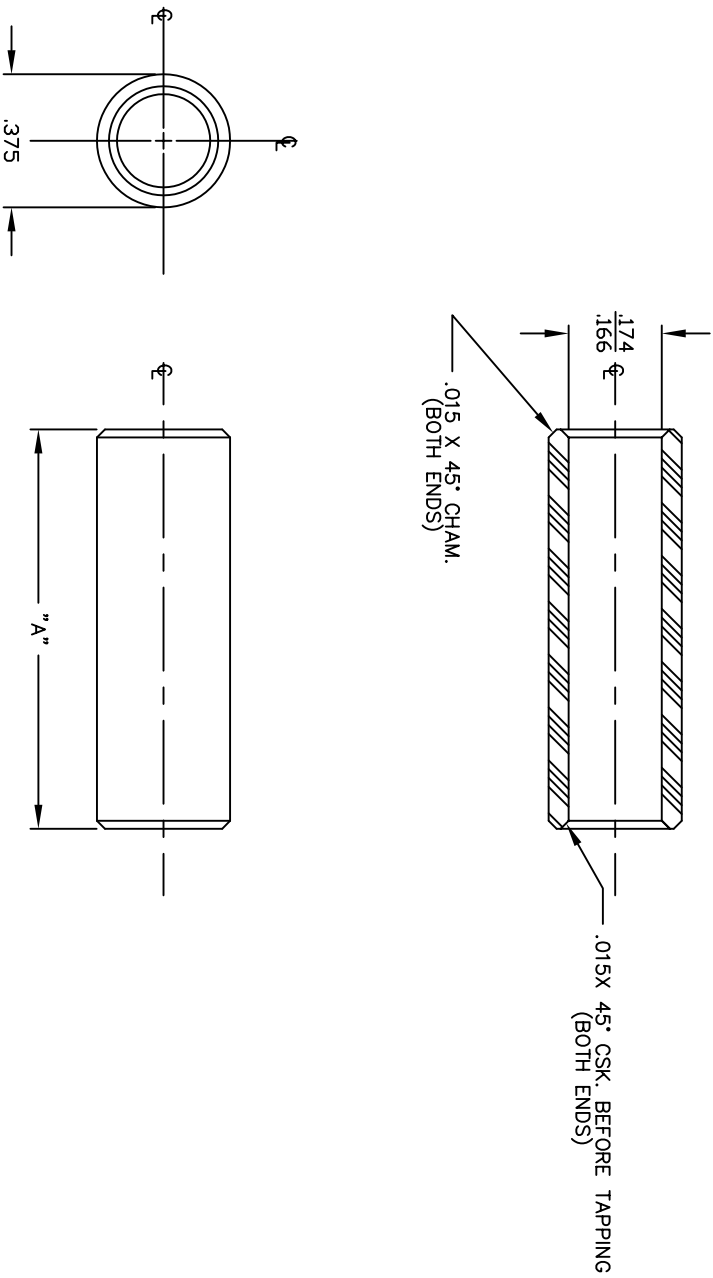


REVISIONS		REVISED BY	DATE	APPR
SYM	DESCRIPTION			



SPACERS	PART NO.	DIM "A"
	8732	.125
	8735	.187
	2115	.250
	8738	.312
	2116	.375
	8741	.437
	2117	.500
	8744	.562
	8747	.625
	8750	.687
	2118	.750
	8753	.812
	8756	.875
	8759	.937
	2119	1.000

MATERIAL BRASS 360 1/2 HARD		FINISH NICKEL	
DIMENSIONAL TOLERANCES UNLESS OTHERWISE SPECIFIED		TITLE BRASS ROUND 3/8" SPACERS #8 CLEARANCE	
.XX	.XXX	.XXX	.XXX
±.010	±.005	---	---
FRACTIONS	ANGLES	SCALE	SCALE
±1/64	±1°	NONE	NONE
HEAT TREAT	---	---	---
PLOT SCALE	1=1	DRAWN: T. LORD	DATE 02/10/03
		CHECKED: T. LORD	DATE 02/10/03
		APPROVED: T. LORD	DATE 02/10/03
ABBATRON		Electronic Connectors and Hardware	
		632 Arch Street, Meadville, Pa. 16335	
SIZE	DRAWING NUMBER	ISSUE	
B	SMP-00420	A	