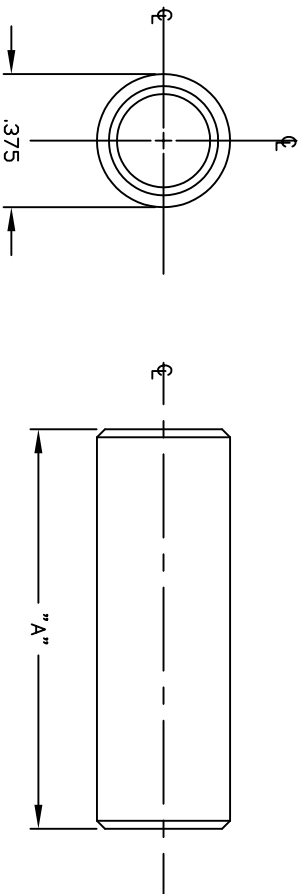
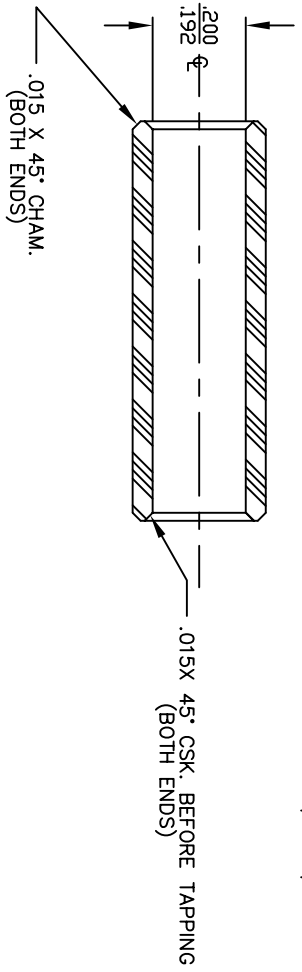


REVISIONS		REVISED BY	DATE	APPR
SYM	DESCRIPTION			



SPACERS	PART NO.	DIM "A"
	9375A	.125
	9375B	.187
	9375C	.250
	9375D	.312
	9375E	.375
	9375F	.437
	9375G	.500
	9375H	.562
	9375J	.625
	9375K	.687
	9375L	.750
	9375M	.812
	9375N	.875
	9375P	.937
	9375Q	1.000

MATERIAL BRASS 360 1/2 HARD		FINISH NICKEL	
DIMENSIONAL TOLERANCES UNLESS OTHERWISE SPECIFIED		TITLE BRASS ROUND 3/8" SPACERS #10 CLEARANCE	
XX	XXX	XXXX	
FRACTIONS	ANGLES	SCALE	
---	---	NONE	
HEAT TREAT	---	DRAWN: T. LORD	DATE 02/10/03
PLDT SCALE: 1=1		CHECKED: T. LORD	DATE 02/10/03
		APPROVED: T. LORD	DATE 02/10/03
ABBATRON		Electronic Connectors and Hardware	
		632 Arch Street, Meadville, Pa. 16335	
B	SD: SMP-00422	SIZE	DRAWING NUMBER
			ISSUE
			A