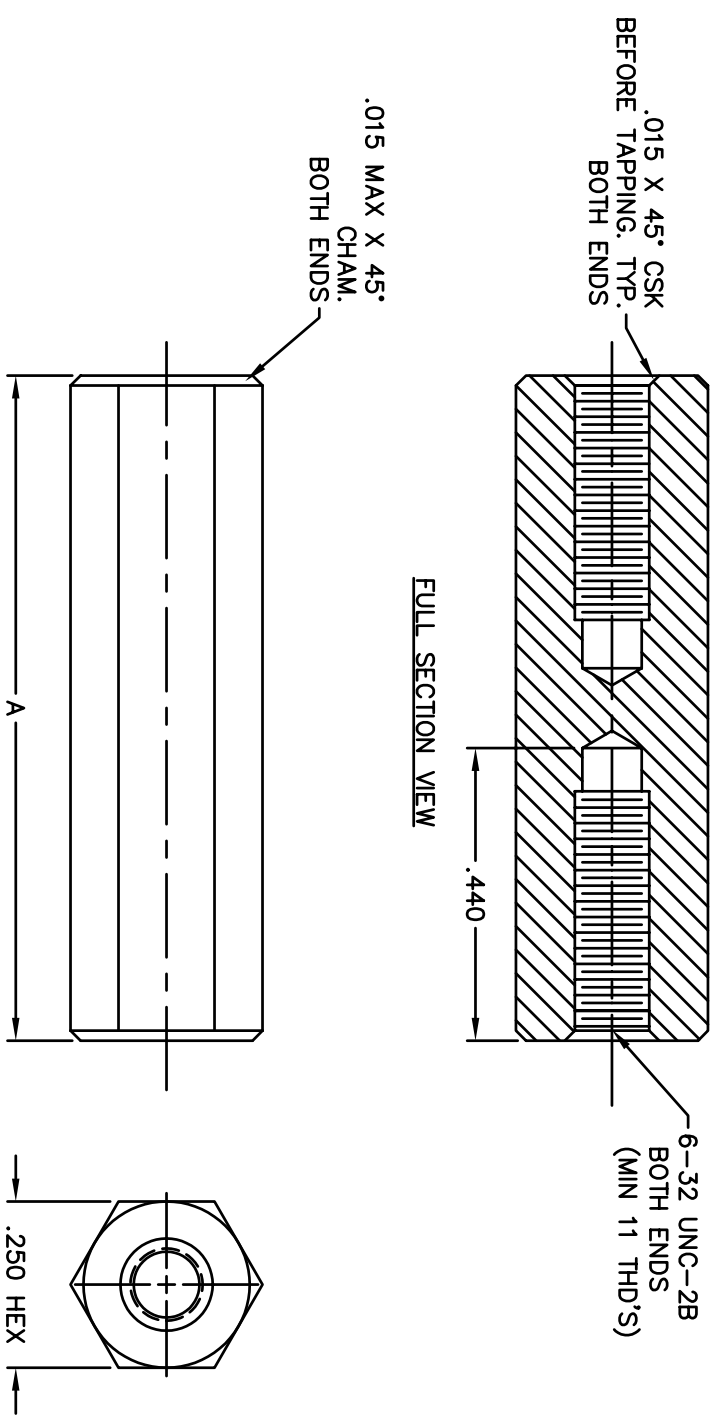


REVISIONS		REVISED DATE	APPR
SYM	DESCRIPTION		

STANDOFF		
PART NO.	DIM. A	
8420R	1.125	
8428	1.250	
8420T	1.375	
8429	1.500	
8420V	1.625	
8430	1.750	
8420X	1.875	
8431	2.000	
8420ZA	2.250	
8432	2.500	
8420ZC	2.750	
8433	3.000	
8420ZE	3.250	
8434	3.500	
8420ZG	3.750	
8435	4.000	



MATERIAL: ALUMINUM ALLOY 2011 T-3		FINISH: CLEAR CHROMATE	
DIMENSIONAL TOLERANCES UNLESS OTHERWISE SPECIFIED		TITLE: 8428-8435 & 8420R-8420ZG	
XX	XXX	XXXX	ALUMINUM HEX STANDOFF
---	---	---	1/4 HEX THD#6-32
FRACTIONS	ANGLES	SCALE	
---	---	NONE	
HEAT TREAT:	---	DRAWN: T. LORD	DATE: 3/10/06
PLT SCALE: 1=1	---	CHECKED: T. LORD	DATE: 3/10/06
	---	APPROVED: T. LORD	DATE: 3/10/06
ABBATRON		SIZE	DRAWING NUMBER
Electronic Connectors and Hardware		B	SD: SMP-00458
632 Arch Street, Meadville, Pa. 16335		ISSUE	B