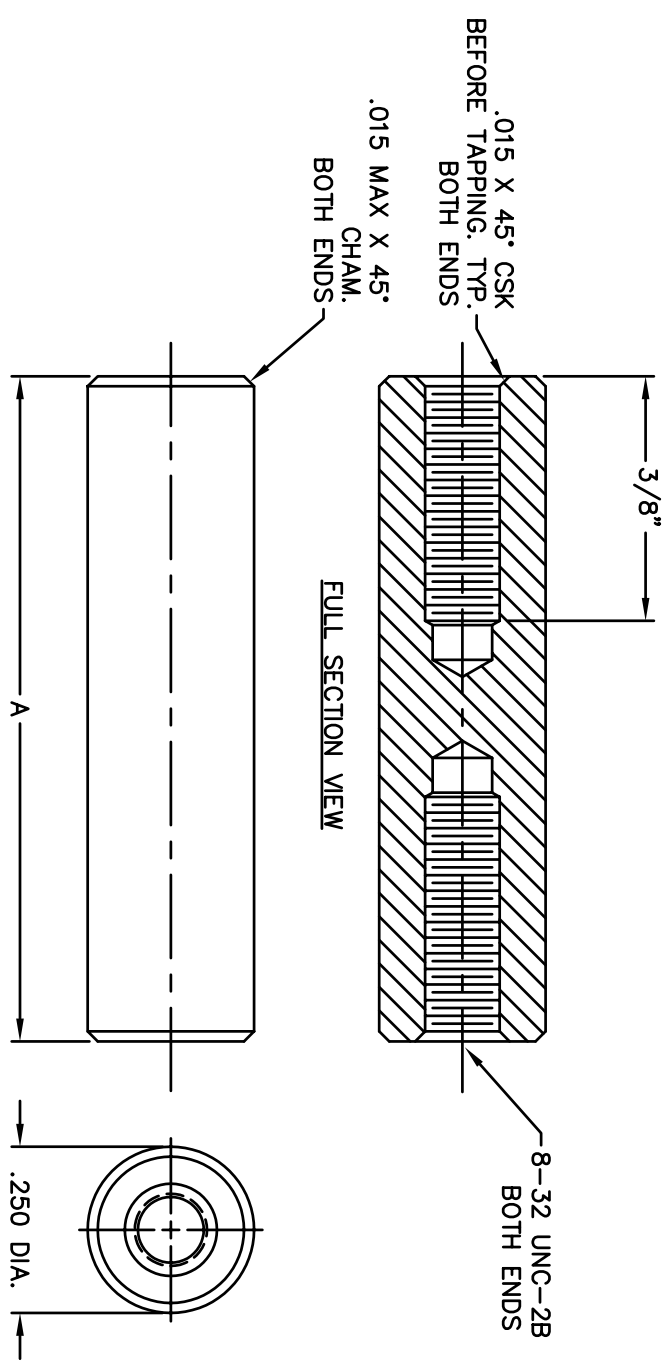


REVISIONS		REVISED DATE	APPR
SYM	DESCRIPTION		

STANDOFF	PART NO.	DIM. A
	8360R	1.125
	8368	1.250
	8360T	1.375
	8369	1.500
	8360V	1.625
	8370	1.750
	8360X	1.875
	8371	2.000
	8360ZA	2.250
	8372	2.500
	8360ZC	2.750
	8373	3.000
	8360ZE	3.250
	8374	3.500
	8360ZG	3.750
	8375	4.000
	8360ZJ	4.500
	8360ZK	5.000
	8360ZL	5.500
	8360ZM	6.000



MATERIAL: ALUMINUM 2011 T3		FINISH: CLEAR CHROMATE	HEAT TREAT: ---
DIMENSIONAL TOLERANCES UNLESS OTHERWISE SPECIFIED		TITLE: 8360 R-ZM, 8368-8375	
XX	XXX	XXXX	ALUMINUM RND STANDOFF
---	---	---	1/4" RND, 8-32 THD
FRACTIONS	ANGLES	SCALE	
---	---	---	
SURFACE FINISH: 125		DRAWN: T. LORD	DATE: 10/4/07
CHECKED: T. LORD		DATE: 10/4/07	
APPROVED: T. LORD		DATE: 10/4/07	
SIZE: B	DRAWING NUMBER: SD: SMP-00472	ISSUE: A	

ABBATRON
Electronic Connectors and Hardware
632 Arch Street, Meadville, Pa. 16335

THIS DRAWING AND THE INFORMATION THEREIN IS THE PROPERTY OF ABBATRON, LLC. ANY REPRODUCTION, USE OR REPRODUCTION THEREOF IS PROHIBITED.